

**For Residential and Commercial Applications**

Job Name		Engineer / Architect	
Job Location		Wholesaler	
Submittal Date		Contractor	

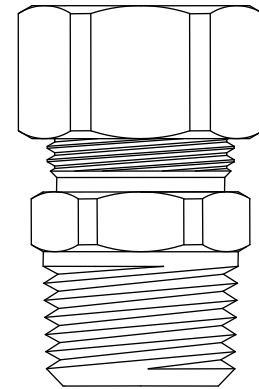
## 68 Series Compression x Male Iron Pipe Reducing Adapters

**Use:** For use with potable and non-potable water, instrumentation, hydraulic, and pneumatic systems. Designed for use with aluminum, copper, and plastic\* tubing. Not intended for use with steel tubing

\* Plastic tubing requires a plastic insert and a sleeve (see 60PT & 63PT submittal forms for details)

**Design Features:**

- **Little to no tube preparation.** Compression fittings do not require flaring, soldering, or other types of tube preparation
- **Available in a broad range of sizes**
- **No-lead Available**



**Operating Specifications:**

- Temperature:** -65° - 250°F at maximum operating pressures  
**Working Pressure:** See chart below  
**Vibration:** Fair vibration resistance

WORKING PRESSURE		
PSI	Tube OD	Tube Wall (Inches)
400	1/8	0.030
400	3/16	0.030
300	1/4	0.030
300	5/16	0.032
200	3/8	0.032
200	1/2	0.032
150	5/8	0.035
100	3/4	0.035
75	7/8	0.035

**Standard Product**

FITTING MATERIAL SPECIFICATIONS	
<b>Body</b>	Brass
<b>Compression Sleeve</b>	Brass
<b>Compression Nut</b>	Brass
<b>Option</b>	Chrome plating

**No-lead Product**

FITTING MATERIAL SPECIFICATIONS	
<b>Body</b>	No-lead brass
<b>Compression Sleeve</b>	Brass
<b>Compression Nut</b>	Brass
<b>Option</b>	Chrome plating

**Standard Part Listing:**

- 68-3-2            3/16" OD tube x 1/8" MIP
- 68-3-2-1 B       3/16" OD tube x 1/8" MIP - body only, bulk
- 68-3-4            3/16" OD tube x 1/4" MIP
- 68-3-4-1 B       3/16" OD tube x 1/4" MIP- body only, bulk
- 68-4-2            1/4" OD tube x 1/8" MIP

*This specification and all information contained herein is the confidential and exclusive property of BrassCraft Manufacturing, and shall not be disclosed to others without the written consent of BrassCraft Mfg. This specification must be returned to BrassCraft Mfg. if requested.*



## 68 Series Compression x Male Iron Pipe Reducing Adapters

### Standard Part Listing (con't):

<input type="checkbox"/>	68-4-2 B	1/4" OD tube x 1/8" MIP, bulk
<input type="checkbox"/>	68-4-2-1 B	1/4" OD tube x 1/8" MIP - body only, bulk
<input type="checkbox"/>	68-4-6	1/4" OD tube x 3/8" MIP
<input type="checkbox"/>	68-4-6 B	1/4" OD tube x 3/8" MIP, bulk
<input type="checkbox"/>	68-4-6-1 B	1/4" OD tube x 3/8" MIP - body only, bulk
<input type="checkbox"/>	68-4-8	1/4" OD tube x 1/2" MIP
<input type="checkbox"/>	68-4-8 B	1/4" OD tube x 1/2" MIP, bulk
<input type="checkbox"/>	68-4-8-1 B	1/4" OD tube x 1/2" MIP - body only, bulk
<input type="checkbox"/>	68-5-2	5/16" OD tube x 1/8" MIP
<input type="checkbox"/>	68-5-2 B	5/16" OD tube x 1/8" MIP, bulk
<input type="checkbox"/>	68-5-2-1 B	5/16" OD tube x 1/8" MIP - body only, bulk
<input type="checkbox"/>	68-5-4	5/16" OD tube x 1/4" MIP
<input type="checkbox"/>	68-5-4 B	5/16" OD tube x 1/4" MIP, bulk
<input type="checkbox"/>	68-5-4-1 B	5/16" OD tube x 1/4" MIP - body only, bulk
<input type="checkbox"/>	68-5-6	5/16" OD tube x 3/8" MIP
<input type="checkbox"/>	68-5-6-1 B	5/16" OD tube x 3/8" MIP - body only, bulk
<input type="checkbox"/>	68-6-2	3/8" OD tube x 1/8" MIP
<input type="checkbox"/>	68-6-2 B	3/8" OD tube x 1/8" MIP, bulk
<input type="checkbox"/>	68-6-2-1 B	3/8" OD tube x 1/8" MIP - body only, bulk
<input type="checkbox"/>	68-6-4	3/8" OD tube x 1/4" MIP
<input type="checkbox"/>	68-6-4 B	3/8" OD tube x 1/4" MIP, bulk
<input type="checkbox"/>	68-6-4 C	3/8" OD tube x 1/4" MIP, chrome plated
<input type="checkbox"/>	68-6-4-1 B	3/8" OD tube x 1/4" MIP - body only, bulk
<input type="checkbox"/>	68-6-8	3/8" OD tube x 1/2" MIP
<input type="checkbox"/>	68-6-8 B	3/8" OD tube x 1/2" MIP, bulk
<input type="checkbox"/>	68-6-8 C	3/8" OD tube x 1/2" MIP, chrome plated
<input type="checkbox"/>	68-6-8-1 B	3/8" OD tube x 1/2" MIP - body only, bulk
<input type="checkbox"/>	68-6-12	3/8" OD tube x 3/4" MIP
<input type="checkbox"/>	68-6-12-1 B	3/8" OD tube x 3/4" MIP - body only, bulk
<input type="checkbox"/>	68-7-4	7/16" OD tube x 1/4" MIP
<input type="checkbox"/>	68-7-4-1 B	7/16" OD tube x 1/4" MIP - body only, bulk
<input type="checkbox"/>	68-7-6-1 B	7/16" OD tube x 3/8" MIP - body only, bulk
<input type="checkbox"/>	68-8-4	1/2" OD tube x 1/4" MIP
<input type="checkbox"/>	68-8-4-1 B	1/2" OD tube x 1/4" MIP - body only, bulk
<input type="checkbox"/>	68-8-6	1/2" OD tube x 3/8" MIP
<input type="checkbox"/>	68-8-6 B	1/2" OD tube x 3/8" MIP, bulk
<input type="checkbox"/>	68-8-6-1 B	1/2" OD tube x 3/8" MIP - body only, bulk
<input type="checkbox"/>	68-8-12	1/2" OD tube x 3/4" MIP
<input type="checkbox"/>	68-8-12-1 B	1/2" OD tube x 3/4" MIP - body only, bulk
<input type="checkbox"/>	68-10-6	5/8" OD tube x 3/8" MIP
<input type="checkbox"/>	68-10-6 B	5/8" OD tube x 3/8" MIP, bulk
<input type="checkbox"/>	68-10-6 CB	5/8" OD tube x 3/8" MIP, chrome plated, bulk
<input type="checkbox"/>	68-10-6-1 B	5/8" OD tube x 3/8" MIP - body only, bulk
<input type="checkbox"/>	68-10-8	5/8" OD tube x 1/2" MIP
<input type="checkbox"/>	68-10-8 B	5/8" OD tube x 1/2" MIP, bulk

*This specification and all information contained herein is the confidential and exclusive property of BrassCraft Manufacturing, and shall not be disclosed to others without the written consent of BrassCraft Mfg. This specification must be returned to BrassCraft Mfg. if requested.*

**BrassCraft**<sup>®</sup>

## 68 Series Compression x Male Iron Pipe Reducing Adapters

### Standard Part Listing (con't):

<input type="checkbox"/>	68-10-8 C	5/8" OD tube x 1/2" MIP, chrome plated
<input type="checkbox"/>	68-10-8-1 B	5/8" OD tube x 1/2" MIP - body only, bulk
<input type="checkbox"/>	68-10-8-1 CB	5/8" OD tube x 1/2" MIP - body only, chrome plated, bulk
<input type="checkbox"/>	68-10-12	5/8" OD tube x 3/4" MIP
<input type="checkbox"/>	68-10-12 B	5/8" OD tube x 3/4" MIP, bulk
<input type="checkbox"/>	68-10-12-1 B	5/8" OD tube x 3/4" MIP - body only, bulk
<input type="checkbox"/>	68-12-8	3/4" OD tube x 1/2" MIP
<input type="checkbox"/>	68-12-8-1 B	3/4" OD tube x 1/2" MIP - body only, bulk
<input type="checkbox"/>	68-14-8	7/8" OD tube x 1/2" MIP
<input type="checkbox"/>	68-14-8-1 B	7/8" OD tube x 1/2" MIP - body only, bulk
<input type="checkbox"/>	68-14-12	7/8" OD tube x 3/4" MIP
<input type="checkbox"/>	68-14-12 B	7/8" OD tube x 3/4" MIP, bulk
<input type="checkbox"/>	68-14-12-1 B	7/8" OD tube x 3/4" MIP - body only, bulk
<input type="checkbox"/>	68-14-16	7/8" OD tube x 1" MIP
<input type="checkbox"/>	68-14-16-1 B	7/8" OD tube x 1" MIP - body only, bulk

### No-lead Part Listing:

<input type="checkbox"/>	68-4-2X	1/4" OD tube x 1/8" MIP
<input type="checkbox"/>	68-4-2X B	1/4" OD tube x 1/8" MIP, bulk
<input type="checkbox"/>	68-4-2-1X B	1/4" OD tube x 1/8" MIP - body only, bulk
<input type="checkbox"/>	68-4-6X	1/4" OD tube x 3/8" MIP
<input type="checkbox"/>	68-4-6X B	1/4" OD tube x 3/8" MIP, bulk
<input type="checkbox"/>	68-4-6-1X B	1/4" OD tube x 3/8" MIP - body only, bulk
<input type="checkbox"/>	68-4-8X	1/4" OD tube x 1/2" MIP
<input type="checkbox"/>	68-4-8X B	1/4" OD tube x 1/2" MIP, bulk
<input type="checkbox"/>	68-4-8-1X B	1/4" OD tube x 1/2" MIP - body only, bulk
<input type="checkbox"/>	68-5-2-1X B	5/16" OD tube x 1/8" MIP - body only, bulk
<input type="checkbox"/>	68-6-2X	3/8" OD tube x 1/8" MIP
<input type="checkbox"/>	68-6-2X B	3/8" OD tube x 1/8" MIP, bulk
<input type="checkbox"/>	68-6-2-1X B	3/8" OD tube x 1/8" MIP - body only, bulk
<input type="checkbox"/>	68-6-4X	3/8" OD tube x 1/4" MIP
<input type="checkbox"/>	68-6-4X B	3/8" OD tube x 1/4" MIP, bulk
<input type="checkbox"/>	68-6-4X C	3/8" OD tube x 1/4" MIP, chrome plated
<input type="checkbox"/>	68-6-4-1X B	3/8" OD tube x 1/4" MIP - body only, bulk
<input type="checkbox"/>	68-6-8X	3/8" OD tube x 1/2" MIP
<input type="checkbox"/>	68-6-8X B	3/8" OD tube x 1/2" MIP, bulk
<input type="checkbox"/>	68-6-8X C	3/8" OD tube x 1/2" MIP, chrome plated
<input type="checkbox"/>	68-6-8-1X B	3/8" OD tube x 1/2" MIP - body only, bulk
<input type="checkbox"/>	68-6-12X	3/8" OD tube x 3/4" MIP
<input type="checkbox"/>	68-6-12-1X B	3/8" OD tube x 3/4" MIP - body only, bulk
<input type="checkbox"/>	68-7-4X	7/16" OD tube x 1/4" MIP
<input type="checkbox"/>	68-7-4-1X B	7/16" OD tube x 1/4" MIP - body only, bulk
<input type="checkbox"/>	68-8-4X	1/2" OD tube x 1/4" MIP

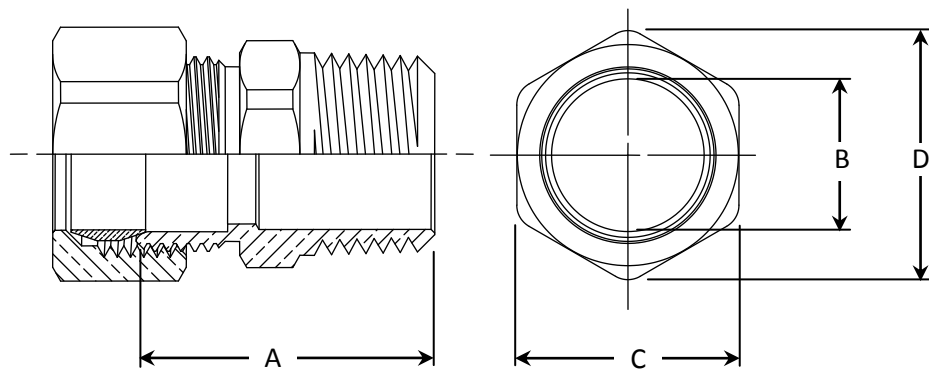
*This specification and all information contained herein is the confidential and exclusive property of BrassCraft Manufacturing, and shall not be disclosed to others without the written consent of BrassCraft Mfg. This specification must be returned to BrassCraft Mfg. if requested.*

**BrassCraft**®

# 68 Series Compression x Male Iron Pipe Reducing Adapters

## No-lead Part Listing (con't):

- 68-8-4-1X B 1/2" OD tube x 1/4" MIP - body only, bulk
- 68-8-6X 1/2" OD tube x 3/8" MIP
- 68-8-6X B 1/2" OD tube x 3/8" MIP, bulk
- 68-8-6X CB 1/2" OD tube x 3/8" MIP, chrome plated, bulk
- 68-8-6-1X B 1/2" OD tube x 3/8" MIP - body only, bulk
- 68-8-12X 1/2" OD tube x 3/4" MIP
- 68-8-12-1X B 1/2" OD tube x 3/4" MIP - body only, bulk
- 68-10-6X 5/8" OD tube x 3/8" MIP
- 68-10-6-1X B 5/8" OD tube x 3/8" MIP - body only, bulk
- 68-10-8X 5/8" OD tube x 1/2" MIP
- 68-10-8X B 5/8" OD tube x 1/2" MIP, bulk
- 68-10-8-1X B 5/8" OD tube x 1/2" MIP - body only, bulk
- 68-10-12X 5/8" OD tube x 3/4" MIP
- 68-10-12-1X B 5/8" OD tube x 3/4" MIP - body only, bulk
- 68-14-8X 7/8" OD tube x 1/2" MIP
- 68-14-8-1X B 7/8" OD tube x 1/2" MIP - body only, bulk
- 68-14-12X 7/8" OD tube x 3/4" MIP
- 68-14-12X B 7/8" OD tube x 3/4" MIP, bulk
- 68-14-12-1X B 7/8" OD tube x 3/4" MIP - body only, bulk
- 68-14-16X 7/8" OD tube x 1" MIP
- 68-14-16-1X B 7/8" OD tube x 1" MIP - body only, bulk



PART DIMENSIONS (Inches)				
Model	DIM. A	DIA. B	DIM. C	DIM. D
68-3-2	.81	.125	7/16	.488
68-3-4	.94	.125	9/16	.627
68-4-2	.84	.190	7/16	.488
68-4-6	1.03	.187	11/16	.767
68-4-8	1.25	.187	7/8	.976
68-5-2	.89	.250	1/2	.558
68-5-4	1.09	.250	9/16	.627
68-5-6	1.06	.250	11/16	.767
68-6-2	.94	.250	9/16	.627
68-6-4	1.03	.312	9/16	.627
68-6-8	1.16	.312	27/32	.942
68-6-12	1.03	.344	1-1/16	1.164
68-7-4	1.17	.312	5/8	.696
68-7-6	1.11	.312	11/16	.767
68-8-4	1.08	.312	11/16	.767
68-8-6	1.06	.468	11/16	.767
68-8-12	1.38	.469	1-1/16	1.164
68-10-6	1.22	.469	13/16	.907
68-10-8	1.24	.531	27/32	.942
68-10-12	1.38	.594	1-1/16	1.164
68-12-8	1.60	.562	1	1.116
68-14-8	1.38	.562	1-1/8	1.255
68-14-12	1.38	.750	1-1/8	1.255
68-14-16	1.42	.790	1-11/32	1.479

## Listings & Certifications:

- No-lead product CSA listed to Low Lead Content Certification Program – Plumbing Products Class 6853-01



*This specification and all information contained herein is the confidential and exclusive property of BrassCraft Manufacturing, and shall not be disclosed to others without the written consent of BrassCraft Mfg. This specification must be returned to BrassCraft Mfg. if requested.*

**BrassCraft**<sup>®</sup>